

Data Sheet

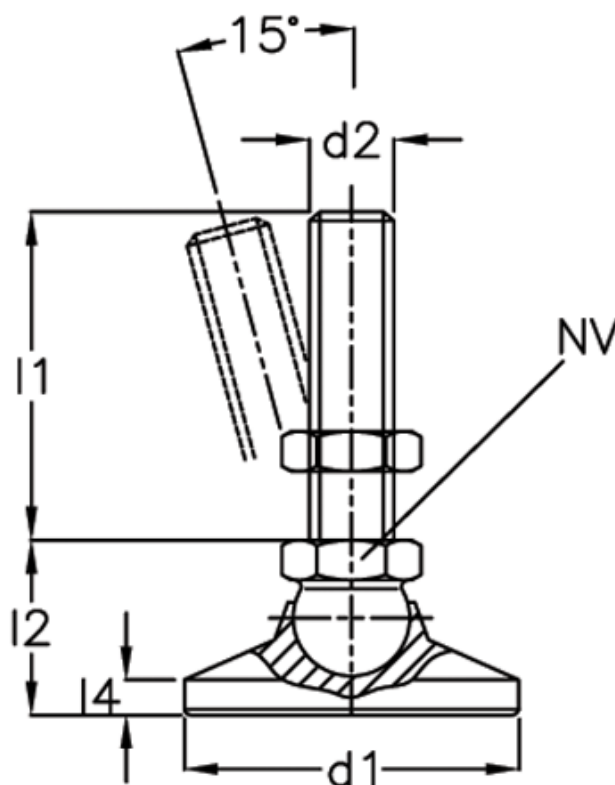


Article number: 20343225M863OS

Description: E+G Levelling foot
GN 343.2-25-M8-63-OS

Note: 0

Measures



$d1 = 25$

$d2 = M8$

$l1 = 63$

$l2 = 19$

$l3 = -$

$l4 = 4$

$l5 = -$

$NV = 12$

Static load = 14

Weight in (g) = 65